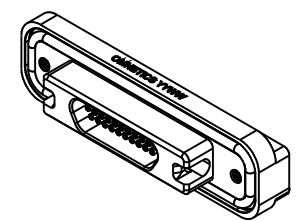
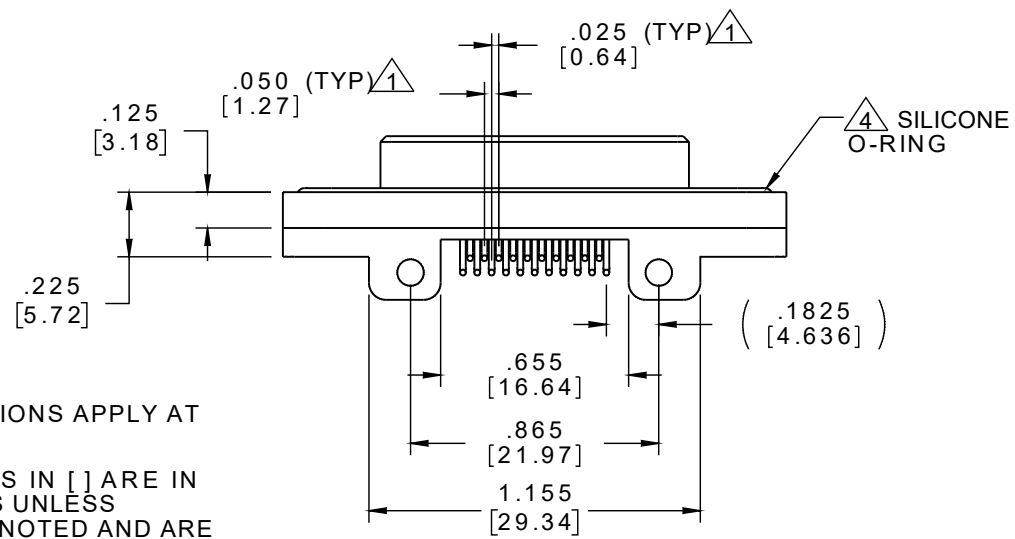
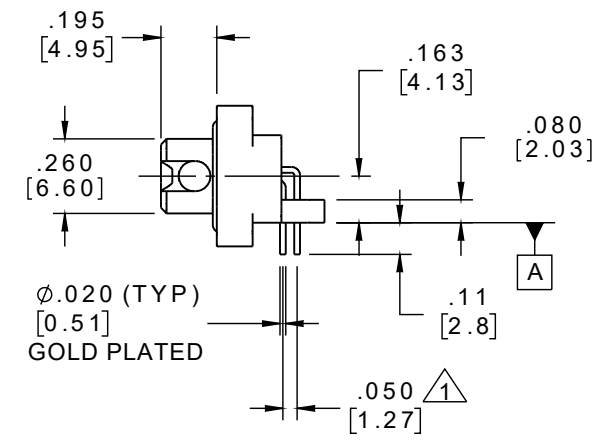
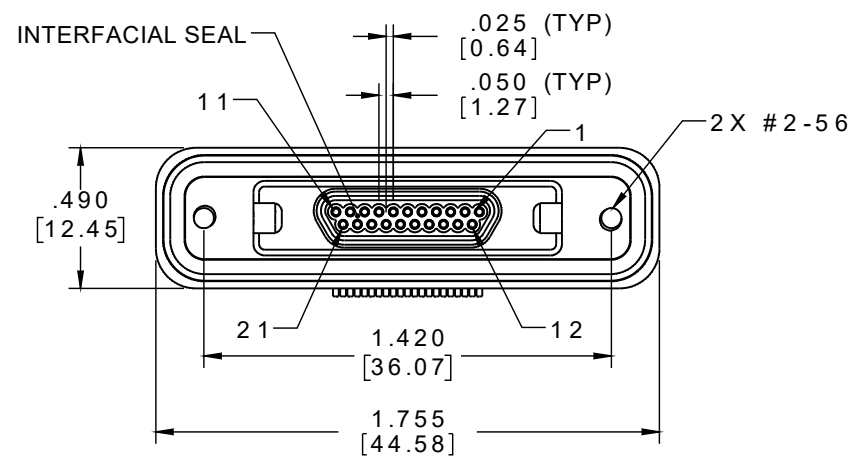
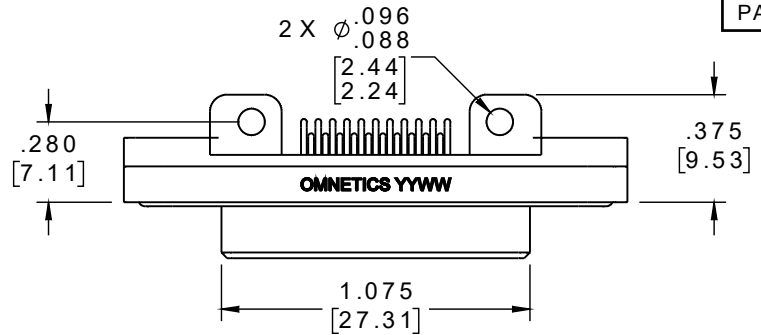


PART NO.	A99070-021	REV	ECO	DATE	APP
		C	107920	03-16-22	BAS



ACTUAL SIZE

RoHS

- NOTES:
- 1 TAIL DIMENSIONS APPLY AT PLANE A
 - 2. DIMENSIONS IN [] ARE IN MILLIMETERS UNLESS OTHERWISE NOTED AND ARE FOR REFERENCE ONLY
 - 3. USE HIGH TEMP EPOXY
 - 4 O-RING PACKAGED SEPARATELY AND SHIPPED WITH ASSEMBLY. SHOWN INSTALLED FOR CLARITY

LMSD SLSW	THIRD ANGLE	THIS DRAWING CONTAINS CONFIDENTIAL AND PROPRIETARY INFORMATION WHICH IS THE PROPERTY OF OMNETICS CONNECTOR CORP. THIS DOCUMENT MAY NOT, IN WHOLE OR IN PART, BE DUPLICATED, OR DISCLOSED FOR ANY PURPOSE, WITHOUT WRITTEN PERMISSION FROM OMNETICS CONNECTOR CORP.		OMNETICS CONNECTOR CORPORATION 7260 COMMERCE CIRCLE EAST MINNEAPOLIS, MN 55432 WWW.OMNETICS.COM	DWG NO.	CAGE CODE 61873	
	-TOLERANCES- UNLESS OTHERWISE NOTED DIMENSIONS IN INCHES	TITLE:	A99070-021		SHEET	SCALE: 3:2	REV C
	2 PL DEC ± .01 3 PL DEC ± .005 4 PL DEC ± .0005 ANGLES ± 1°	DFTM. JPF DATE 04-05-12	(21) SOCKET FEMALE 90° BOARD MOUNT MICRO-D CONNECTOR		1 OF 2		

PART NO.	A99070-021	REV	ECO	DATE	APP
		C	107920	03-16-22	BAS

MATERIALS

HOUSING:

ALUMINUM 6061, NICKEL PLATE
(500 MICROINCHES MINIMUM) PER
SAE-AMS-2404

INSULATOR:

LIQUID CRYSTAL POLYMER (LCP)
PER ASTM D5138

CONTACT:

COPPER ALLOY PER MIL-DTL-
83513, GOLD PLATED PER ASTM
B488, (HARD GOLD) TYPE II CODE
C CLASS 1.27

TERMINATION:

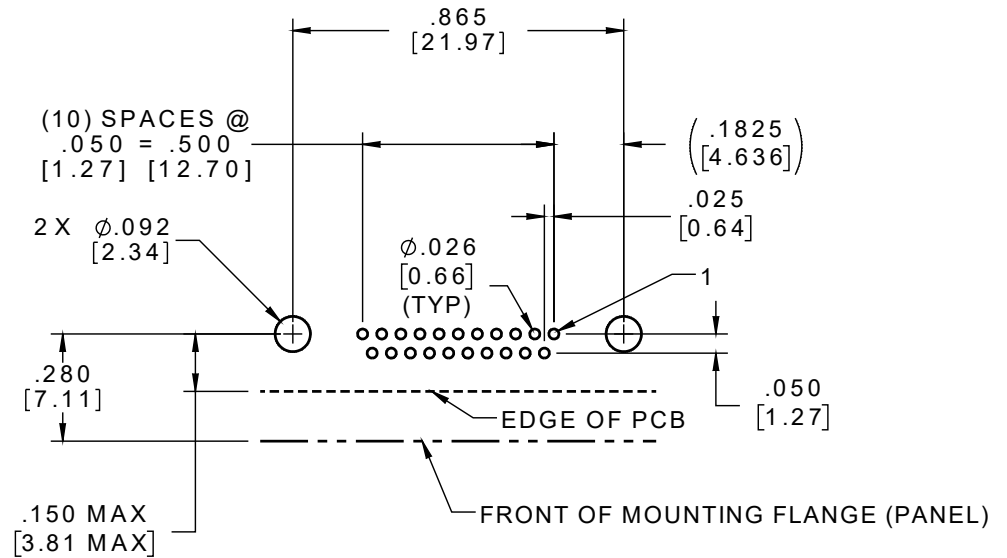
GOLD PLATED

INTERFACIAL SEAL:

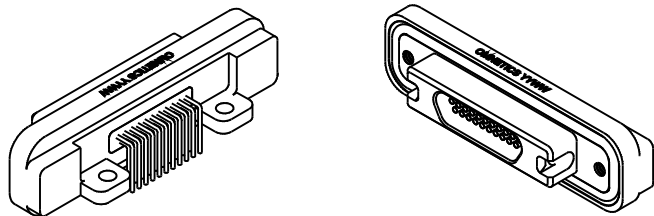
SILICONE RUBBER PER A-A-59588

O-RING:

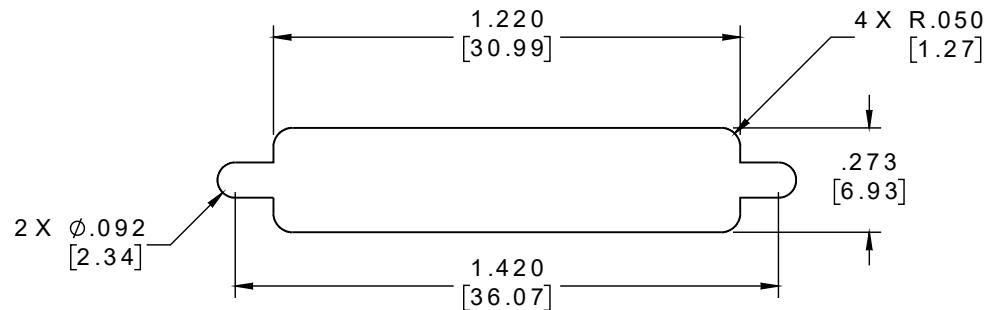
FLUOROSILICONE



SUGGESTED HOLE PATTERN



ACTUAL SIZE



SUGGESTED PANEL OPENING

RoHS

LMDS SIDW	THIRD ANGLE	THIS DRAWING CONTAINS CONFIDENTIAL AND PROPRIETARY INFORMATION WHICH IS THE PROPERTY OF OMNETICS CONNECTOR CORP. THIS DOCUMENT MAY NOT, IN WHOLE OR IN PART, BE DUPLICATED, OR DISCLOSED FOR ANY PURPOSE, WITHOUT WRITTEN PERMISSION FROM OMNETICS CONNECTOR CORP.	OMNETICS CONNECTOR CORPORATION 7260 COMMERCE CIRCLE EAST MINNEAPOLIS, MN 55432 WWW.OMNETICS.COM	DWG NO.	CAGE CODE 61873	
	-TOLERANCES- UNLESS OTHERWISE NOTED DIMENSIONS IN INCHES			TITLE:	(21) SOCKET FEMALE 90° BOARD MOUNT MICRO-D CONNECTOR	A99070-021
	2 PL DEC ± .01 3 PL DEC ± .005 4 PL DEC ± .0005 ANGLES ± 1°			DFTM. JPF DATE 04-05-12	SHEET 2 OF 2	SCALE: 2:1