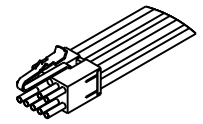
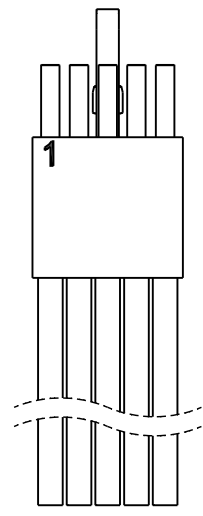
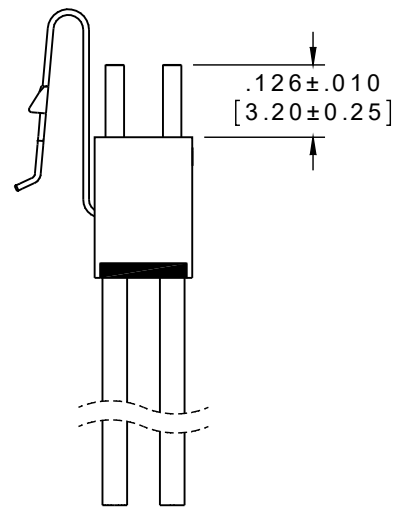
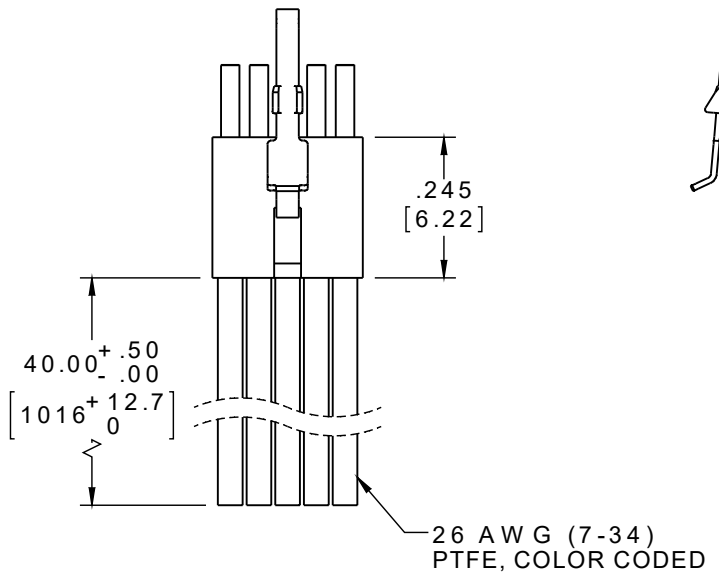
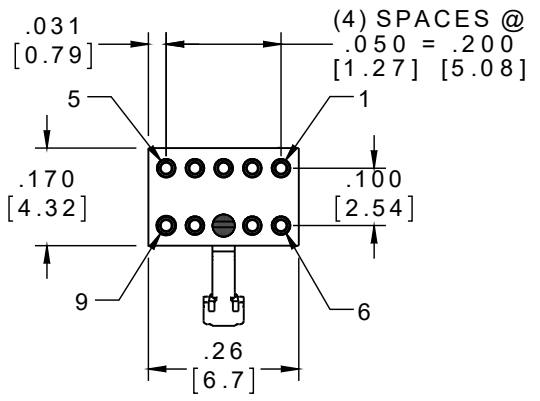


PART NO.	A 104392-801	REV	ECO	DATE	APP
		A	100240	01-28-14	TLM

SOCKET #	COLOR
1	BLACK
2	BROWN
3	RED
4	ORANGE
5	YELLOW
6	GREEN
7	BLUE
8	VIOLET
9	GRAY



ACTUAL SIZE
EXCLUDING WIRE LENGTH



RoHS

NOTE:
DIMENSIONS IN [] ARE IN MILLIMETERS UNLESS OTHERWISE NOTED AND ARE FOR REFERENCE ONLY

DRS SLDW	THIRD ANGLE	THIS DRAWING CONTAINS CONFIDENTIAL AND PROPRIETARY INFORMATION WHICH IS THE PROPERTY OF OMNETICS CONNECTOR CORP. THIS DOCUMENT MAY NOT, IN WHOLE OR IN PART, BE DUPLICATED, OR DISCLOSED FOR ANY PURPOSE, WITHOUT WRITTEN PERMISSION FROM OMNETICS CONNECTOR CORP.	
	-TOLERANCES-	DFTM. NJS	TITLE:
	UNLESS OTHERWISE NOTED	DATE 12-31-13	(9) SOCKET FEMALE
	DIMENSIONS IN INCHES	CHK'D.	DUAL ROW CONNECTOR
2 PL DEC ± .01	APP'D.	W/LATCH	
3 PL DEC ± .005	DATE		
4 PL DEC ± .0005	DATE		
ANGLES ± 1°			

OMNETICS
CONNECTOR CORPORATION
7260 COMMERCE CIRCLE EAST
MINNEAPOLIS, MN 55432
WWW.OMNETICS.COM

CAGE CODE 61873
DWG NO. A 104392-801
SHEET 1 OF 2
SCALE: 3:1
REV A